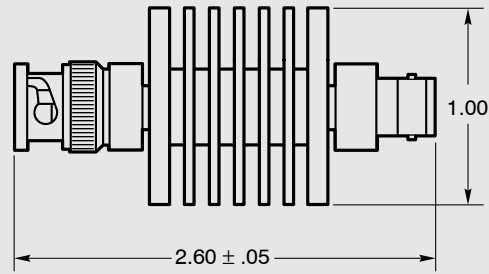
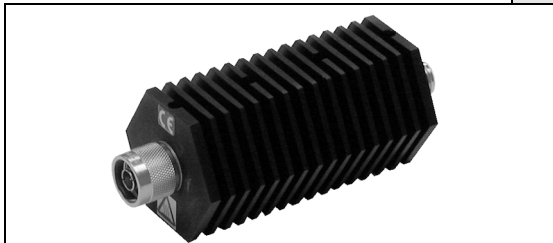




Trilithic's HFP-504 series 10 watt fixed attenuators offer attenuation values from 0–40 dB. The frequency range is DC to 4 GHz.



Specifications	HFP-504	Specifications	HFP-504	Specifications	HFP-504	Specifications	HFP-504
Impedance	50 Ohms	Input Power	10 Watts avg. at 25°C Derated Linearly to 2 Watts at 125°C.	Peak Power	500 Watts max. (5µSec. pulse, .05% Duty Cycle)	Accuracy	DC-1 GHz±0.6 dB 1-4 GHz±1.0 dB
Frequency Range	DC to 4 GHz			Connector Type	BNC M/F	Max. VSWR	DC-1 GHz 1.30:1 1-4 GHz 1.60:1
Attenuation Values	0 to 40 dB						



The HFP-series of high power fixed attenuators have been redesigned to extend the frequency range to 3 GHz, and provide lower VSWR and accuracy in a smaller package. Standard dB values (1, 2, 3, 6, 10, 20 and 30 dB) are available with N male to N female connectors. These units are bidirectional. Other connector options are available upon request.

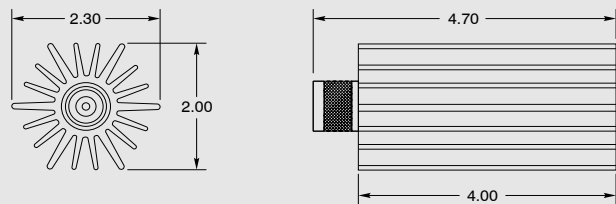


Figure 1.

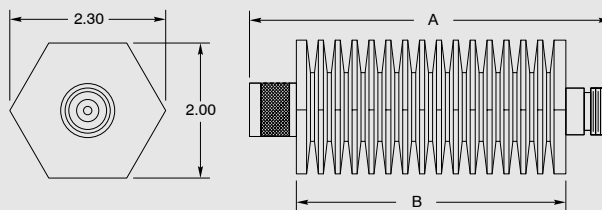
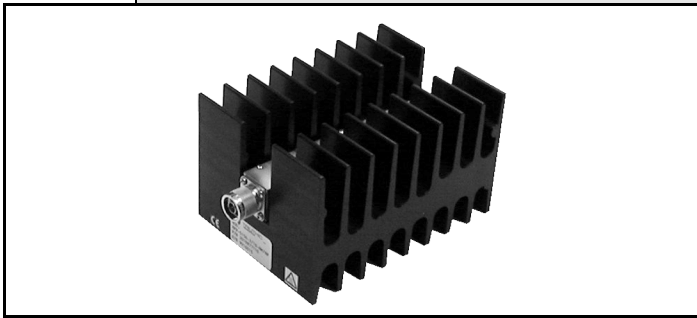


Figure 2.

Model	A	B
HFP-550-3	5.30	4.00
HFP-575-3	7.30	6.00

Specifications	HFP-525-3	HFP-550-3	HFP-575-3	
Impedance	50 Ohms	50 Ohms	50 Ohms	
Frequency Range	DC to 3 GHz	DC to 3 GHz	DC to 3 GHz	
Attenuation Values	1, 2, 3, 6, 10, 20, 30	1, 2, 3, 6, 10, 20, 30	1, 2, 3, 6, 10, 20, 30	
Power	25 Watts	50 Watts	75 Watts	
Connector Types	N M/F	N M/F	N M/F	
Accuracy	DC-1 GHz	1-3 dB, 0.3 dB	1-3 dB, 0.3 dB	1-3 dB, 0.3 dB
		6 & 10 dB, 0.4 dB	6 & 10 dB, 0.4 dB	6 & 10 dB, 0.4 dB
		20 dB, 0.5 dB	20 dB, 0.5 dB	20 dB, 0.5 dB
		30 dB, 0.8 dB	30 dB, 0.8 dB	30 dB, 0.8 dB
	1-3 GHz	1-3 dB, 0.5dB	1-3 dB, 0.5dB	1-3 dB, 0.5dB
		6 dB, 0.6 dB	6 dB, 0.6 dB	6 dB, 0.6 dB
		10 dB, 0.8 dB	10 dB, 0.8 dB	10 dB, 0.8 dB
		20 dB, 1.0 dB	20 dB, 1.0 dB	20 dB, 1.0 dB
Max. VSWR	DC to 1 GHz	1.10:1	1.10:1	1.10:1
	1 to 3 GHz	1.30:1	1.30:1	1.30:1
Weight	9 Oz.	1 Lb.	1.45 Lbs.	
Dimensions	See Figure 1	See Figure 2	See Figure 2	



The HFP-series of high power fixed attenuators have been designed to extend the frequency range to 3 GHz and provide lower VSWR and accuracy. Standard dB values (1, 2, 3, 6, 10, 20 and 30 dB) are available. These units have N male to N female connectors. Other connector options are available upon request. These units are bidirectional.

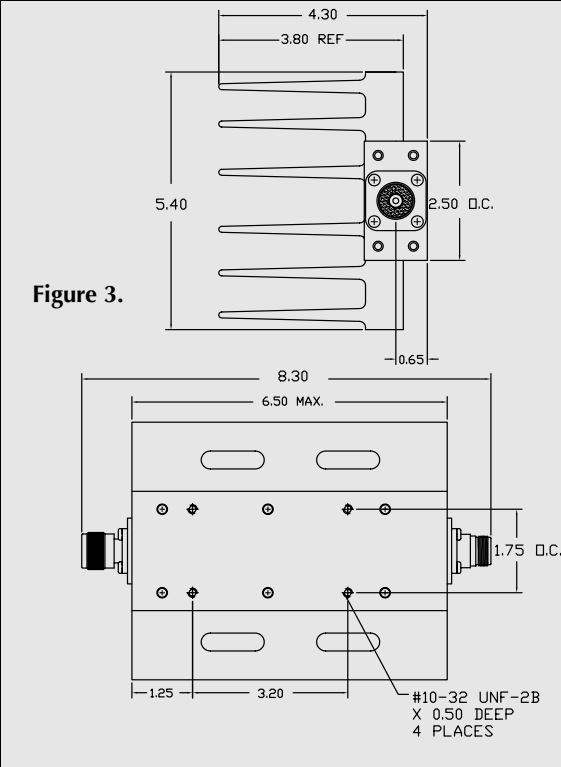


Figure 3.

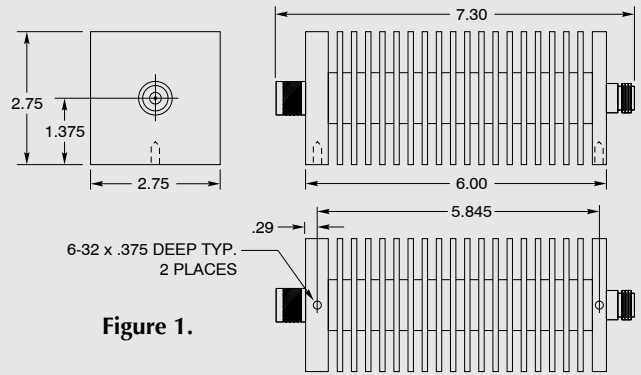


Figure 1.

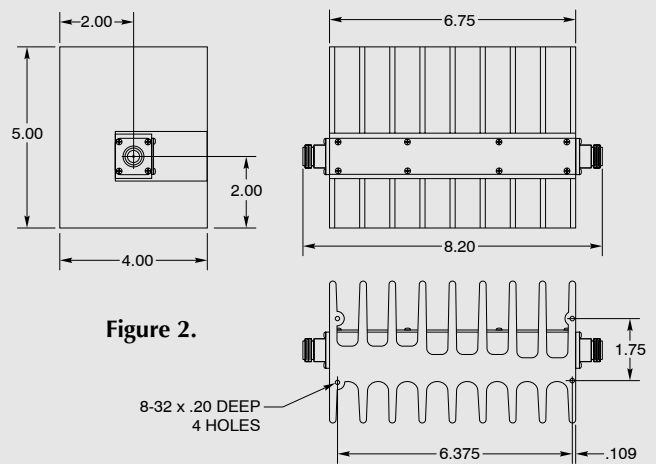


Figure 2.

Specifications	HFP-5100-3	HFP-5150-3	HFP-5300-3	
Impedance	50 Ohms	50 Ohms	50 Ohms	
Frequency Range	DC to 3 GHz	DC to 3 GHz	DC to 3 GHz	
Attenuation Values	1, 2, 3, 6, 10, 20, 30	1, 2, 3, 6, 10, 20, 30	1, 2, 3, 6, 10, 20, 30	
Power	100 Watts	150 Watts	300 Watts / 1.5 KW Peak	
Connector Types	N M/F	N M/F	N M/F	
Accuracy	DC-1 GHz	1-3 dB, 0.3 dB	1-3 dB, 0.3 dB	1-3 dB, 0.3 dB
		6 & 10 dB, 0.4 dB	6 & 10 dB, 0.4 dB	6 & 10 dB, 0.4 dB
		20 dB, 0.5 dB	20 dB, 0.5 dB	20 dB, 0.5 dB
		30 dB, 0.8 dB	30 dB, 0.8 dB	30 dB, 0.8 dB
	1-3 GHz	1-3 dB, 0.5dB	1-3 dB, 0.5dB	1-3 dB, 0.5dB
		6 dB, 0.6 dB	6 dB, 0.6 dB	6 dB, 0.6 dB
		10 dB, 0.8 dB	10 dB, 0.8 dB	10 dB, 0.8 dB
		20 dB, 1.0 dB	20 dB, 1.0 dB	20 dB, 1.0 dB
Max. VSWR	DC to 1 GHz	1.10:1	1.10:1	1.10:1
		1 to 3 GHz	1.30:1	1.30:1
Weight	45 Oz.	5.5 Lbs.	4.6 Lbs.	
Dimensions	See Figure 1	See Figure 2	See Figure 3	



The HFP-series of high power fixed attenuators have been redesigned to extend the frequency range and average power. These units are both available to 3 GHz. Standard dB values (1, 2, 3, 6, 10, 20 and 30 dB) are available. These units have N male to N female connectors. Other connector options are available upon request. These units are unidirectional.

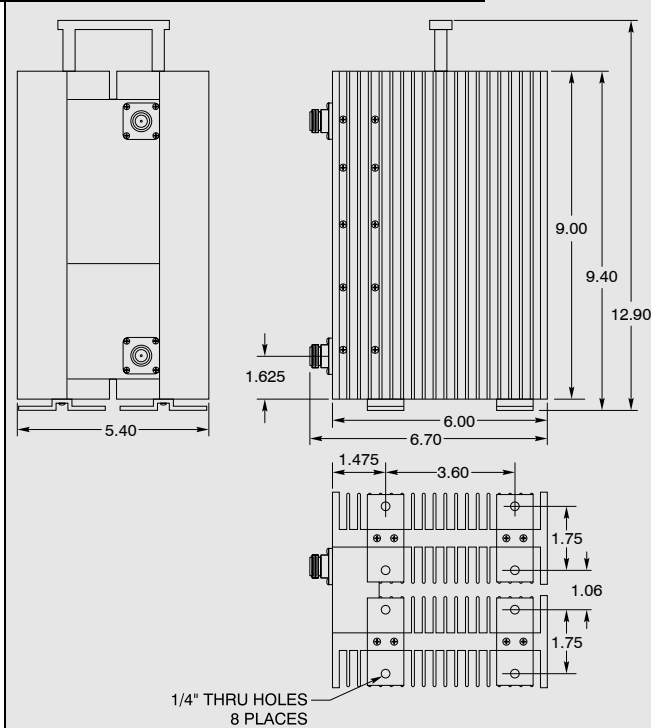


Figure 1.

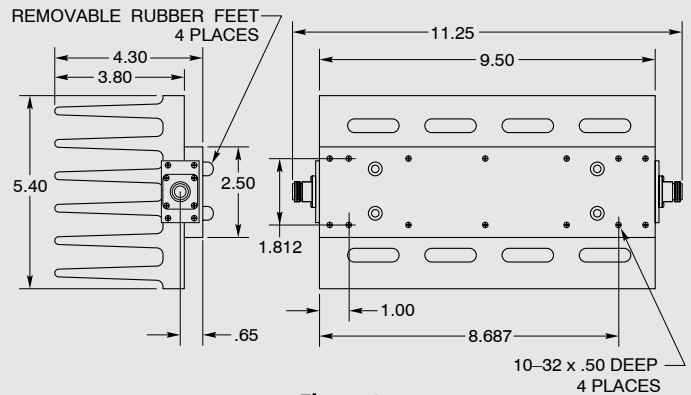


Figure 2.

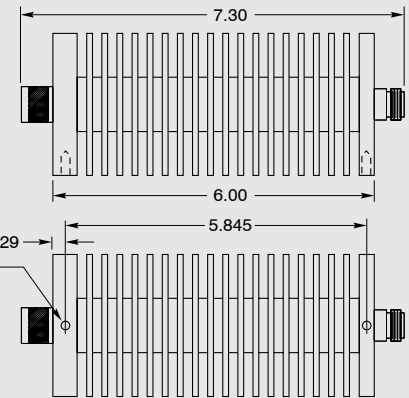
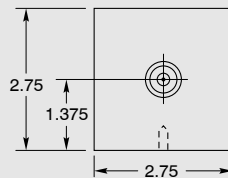


Figure 3.

Specifications		HFP-5300-3A	HFP-5500-3	HFP-51000-3
Impedance		50 Ohms	50 Ohms	50 Ohms
Frequency Range		DC to 3 GHz	DC to 3 GHz	DC to 3 GHz
Attenuation Values		1, 2, 3, 6, 10, 20, 30	3, 6, 10, 20, 30	3, 6, 10, 20, 30
Power		300 Watts	500 Watts	1000 Watts
Connector Types		N M/F	N M/F	N M/F
Accuracy	DC-1 GHz	1-3 dB, 0.3 dB	1-3 dB, 0.3 dB	1-3 dB, 0.3 dB
		6 & 10 dB, 0.4 dB	6 & 10 dB, 0.4 dB	6 & 10 dB, 0.4 dB
		20 dB, 0.5 dB	20 dB, 0.5 dB	20 dB, 0.5 dB
		30 dB, 0.8 dB	30 dB, 0.8 dB	30 dB, 0.8 dB
	1-3 GHz	1-3 dB, 0.5dB	1-3 dB, 0.5dB	1-3 dB, 0.5dB
		6 dB, 0.6 dB	6 dB, 0.6 dB	6 dB, 0.6 dB
		10 dB, 0.8 dB	10 dB, 0.8 dB	10 dB, 0.8 dB
		20 dB, 1.0 dB	20 dB, 1.0 dB	20 dB, 1.0 dB
Max. VSWR				
	DC to 1 GHz	1.10:1	1.10:1	1.10:1
	1 to 3 GHz	1.30:1	1.30:1	1.30:1
Weight		12 Lbs.	7.9 Lbs.	26.5 Lbs.
Dimensions		See Figure 1	See Figure 2	See Figure 3