

**MICROWAVE  
SIGNAL SOURCES  
950 SERIES**



# 1 to 18 GHz MicroSources

- Internal and External Sweep Control
- Compact, Portable, and Economical
- External Leveling Capability
- >10 dBm Output Power

### Cost Effective Performance

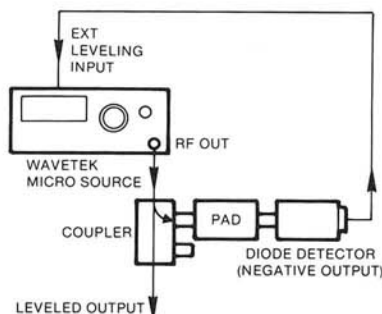
The Wavetek Model 950 Series Micro Sources are exceptional value in compact and modern packages. Each Micro Source uses a YIG tuned oscillator to generate low noise, stable CW signals. Maximum output power is typically greater than +10 dBm, with over 25 dB of power control range. In addition to CW, each source provides internal AM, FM, and frequency sweep. For greater versatility, both frequency and power level are externally controllable, and all units permit convenient external power leveling and phase locking.

### Frequency Control

The frequency can be internally set to CW or swept at adjustable rates between 0.1 and 50 Hz. External tune capability permits full or partial band sweeps. The large, easy to read LCD display presents the output frequency with resolution of 10 MHz, and a typical accuracy of better than  $\pm 0.5\%$ .

### Power Level Control

Leveled operation is easily accomplished using the EXT. LEVEL connector on the rear panel.



*Externally Leveled Power Setup*

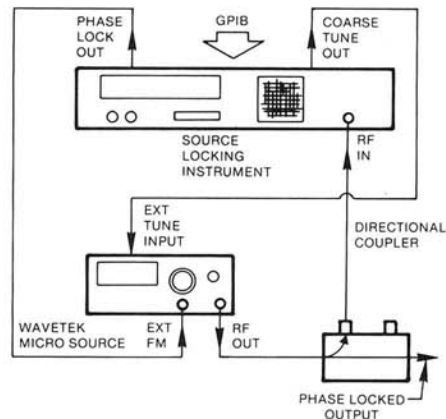
Output power can be adjusted over a minimum range of 25 dB with the front panel RF level control, or by applying a DC voltage to the AM input connection.

### Phase Locked Operation

Phase locking of the 950 Series Microsources is accomplished using the EXT TUNE input on the rear panel, and the DC coupled EXT FM input on the front panel.

### FREQUENCY

**Display Resolution:** 10 MHz  
**Accuracy:**  $\pm 1.0\%$  of display (Note 1)



*Phase Locked Setup*

### Stability: (Typical - Note 2)

Short Term: 0.002% over 5 min  
Long Term: 0.009% over 1 hour

**External Tune:** Tune 0 to 10V for full range:  $\pm 1.0\%$  linearity

**Internal Frequency Sweep:** Full band, 0.1 to 50 Hz rate (0 to +10V output prop. to frequency, No markers)

### OUTPUT POWER

**Maximum Level:** 10 dBm (typical)  
**Guaranteed:** +7 dBm  
**Control Range:** 25 dB, minimum 30 dB, typical

### External Leveling:

**Flatness:**  $\pm 0.1$  dB excluding coupler/detector variations

### RF Output Control Range:

7 dB nominal

### SIGNAL PURITY

**Spurious:** -55 dBc

**Harmonics:**

	Maximum	Typical
952, 954	-12 dBc	-15 dBc
955, 957	-20 dBc	-30 dBc

### NOTES:

- 1) Includes all sources of error including tuning nonlinearity, temperature, voltage variations, mismatch, etc.
- 2) 50 Hz to 15 kHz post-detection bandwidth.

### ORDER INFORMATION

Model	Range	
952	1.0 to 4.0 GHz	\$7,700
954	3.7 to 7.6 GHz	\$6,630
955	7.5 to 12.4 GHz	\$6,630
957	12.0 to 18.0 GHz	\$6,945

Factory/FOB: Sunnyvale, CA